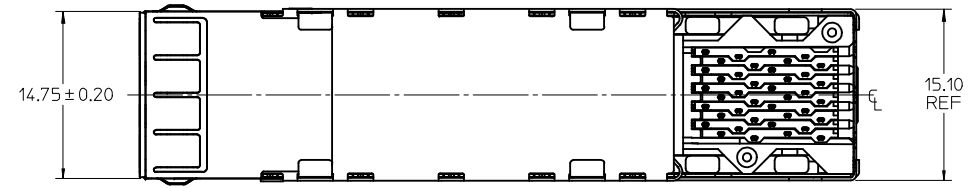
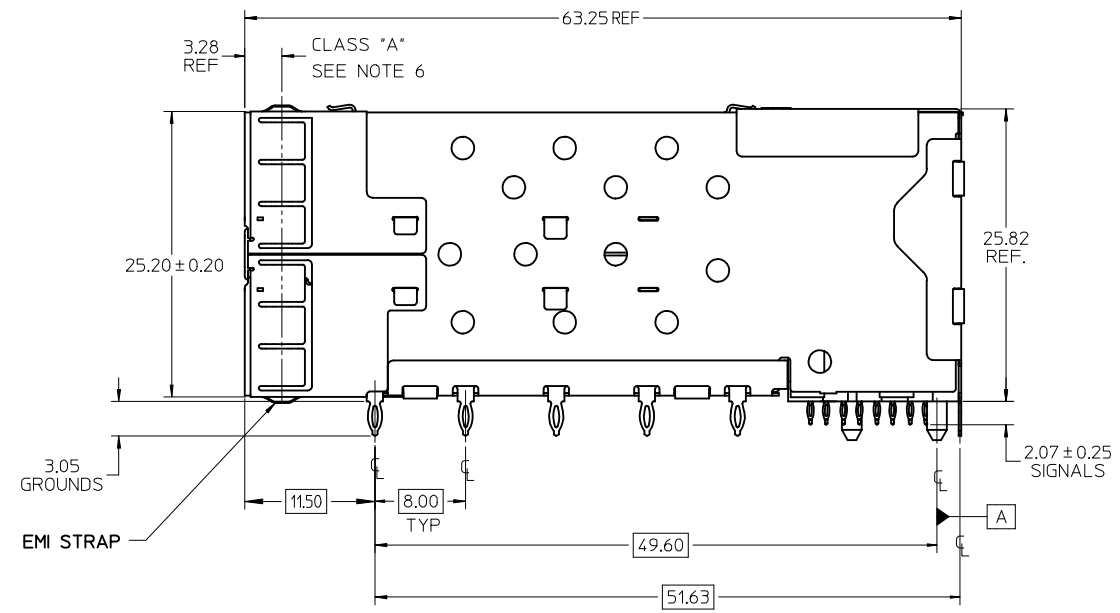
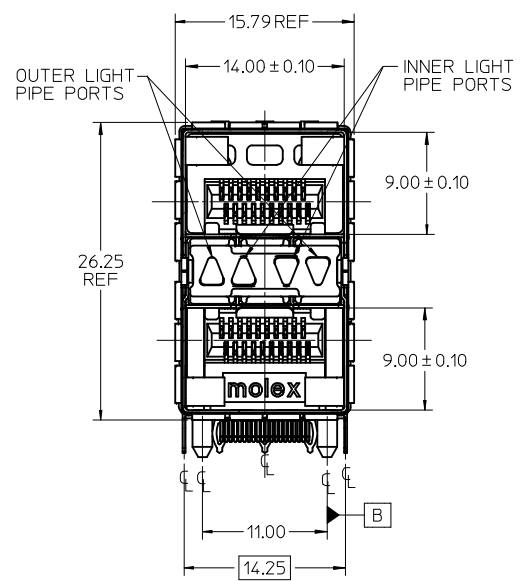
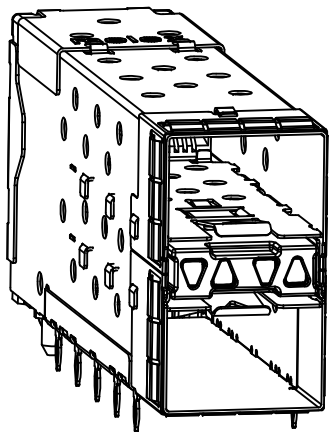


PART NUMBER	DESCRIPTION	VIEW	COMPLIANT TAIL PLATING
760440001	4 LIGHT PORTS	SEE PG 2	TIN / LEAD
760440002	INNER 2 PORTS	SEE PG 2	TIN / LEAD
760440003	OUTER 2 PORTS	SEE PG 2	TIN / LEAD
760445001	4 LIGHT PORTS	SEE PG 2	TIN
760445002	INNER 2 PORTS	SEE PG 2	TIN
760445003	OUTER 2 PORTS	SEE PG 2	TIN

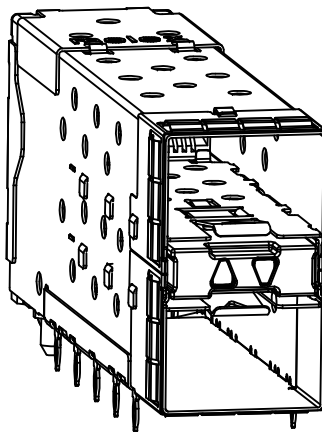


- NOTES
- MATERIAL:
    - EMI STRAPS: PHOS-BRONZE
    - CAGE: NICKEL SILVER, THICKNESS: 0.25mm
    - CONNECTOR HOUSING: GLASS FILLED HIGH TEMP PLASTIC, COLOR: BLACK
    - OVERMOLDED TERMINAL HOUSING: GLASS FILLED HIGH TEMP PLASTIC, COLOR: BLACK
    - TERMINALS: BRASS
    - LIGHT PIPES: POLYCARBONITE, 94 V-0, CLEAR
    - LIGHT PIPE HOUSING: ZINC
  - FINISH
    - EMI STRAPS: 100 MICROINCHES NICKEL OVERALL
    - LIGHT PIPE HOUSING: 150 MICRONS NICKEL OVER 150 MICRONS COPPER
    - TERMINALS: CONTACT AREA: 0.76 MICRONS MIN. HARD GOLD OVER 1.27 MICRONS MIN. NICKEL.
    - COMPLIANT TAIL - TIN/LEAD OPTION: 0.76 - 1.52 MICRONS 90/10 TIN/LEAD OVER 0.76 - 1.52 MICRONS NICKEL
    - COMPLIANT TAIL - TIN OPTION: 0.76 - 1.52 MICRONS TIN OVER 0.76 - 1.52 MICRONS NICKEL
  - REFER TO PS-75310-001 PRODUCT SPEC FOR ALL ELECTRICAL, MECHANICAL, AND ENVIRONMENTAL SPECIFICATIONS.
  - LIGHT PIPE PAD LAYOUT IS FOR 0805 LOW-PROFILE LED PACKAGE, FOR OTHER RECOMMENDED LAYOUTS REFER TO MOLEX'S REPORT TS-75310-001.
  - REFER TO PK-75462-001 FOR ALL PACKAGING SPECIFICATIONS.
  - ALL EXTERIOR SURFACES TO BE CLASS \*B\* SURFACE EXCEPT THE UNDER SIDE OF THE CAGE WHERE THE PCB WOULD BE LOCATED AND AS NOTED. THE SURFACES TO CONFORM TO THE MOLEX COSMETIC DOC PS-45499-002.

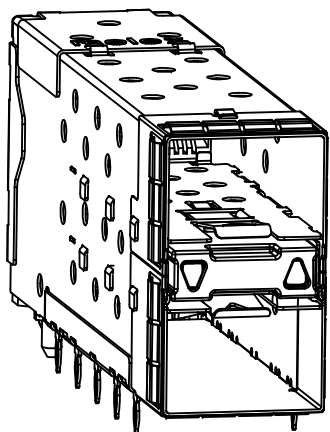
REVISED DIMENSIONS	EC NO: UCP2009-0761	DRWN: JLONG	2008/09/29	QUALITY SYMBOLS	GENERAL TOLERANCES (UNLESS SPECIFIED)	SCALE	DESIGN UNITS	THIRD ANGLE PROJECTION	REVISE ON CAD ONLY
	CHKD: JLONG	2008/09/29	3:1			METRIC			
	APPR: MBANAKIS	2008/09/30	DIMENSION STYLE			TITLE			
			MM ONLY						
		DRAWN BY	DATE	MOLEX INCORPORATED					
		JJANTELEZ	11-3-06		SEE CHART				
		CHECKED BY	DATE		SD-76044-001	SHEET NO.	1 OF 4		
		JLONG	2-1-2007		ANGULAR ± 5 °	THIS DRAWING CONTAINS INFORMATION THAT IS PROPRIETARY TO MOLEX INCORPORATED AND SHOULD NOT BE USED WITHOUT WRITTEN PERMISSION			
		APPROVED BY	DATE		DRAFT WHERE APPLICABLE				
		KREGNIER	2-1-2007		MUST REMAIN WITHIN DIMENSIONS				



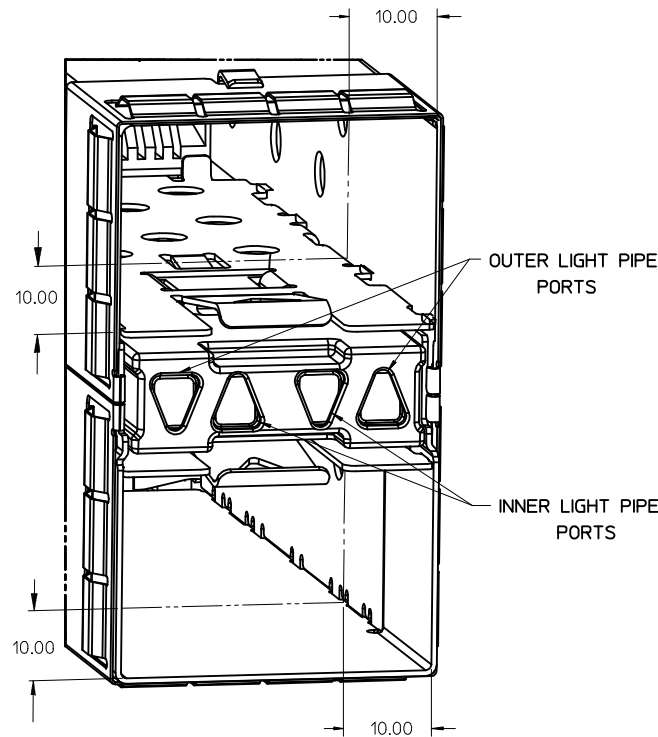
760440001 AND 760445001  
WITH INNER AND OUTER LIGHT PIPES



760440002 AND 760445002  
WITH INNER LIGHT PIPES

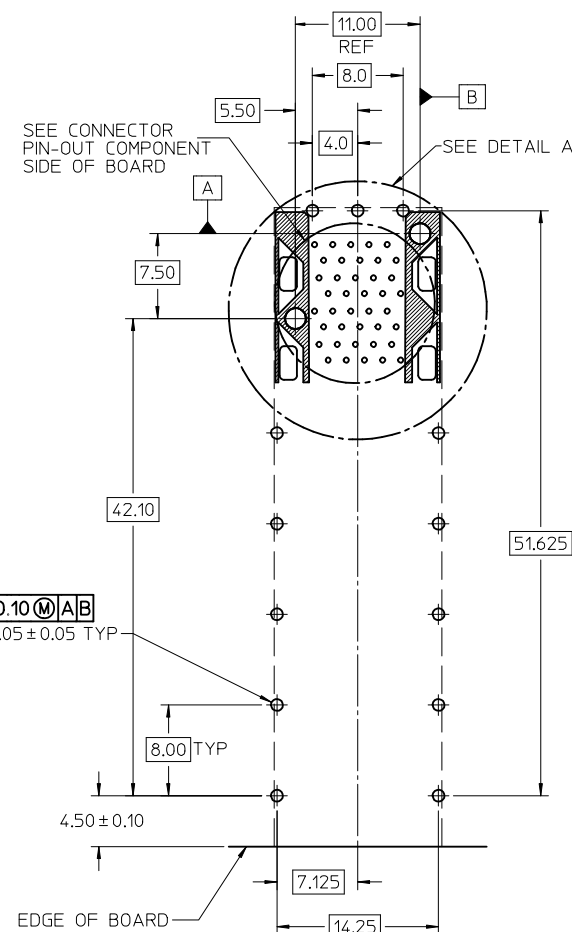
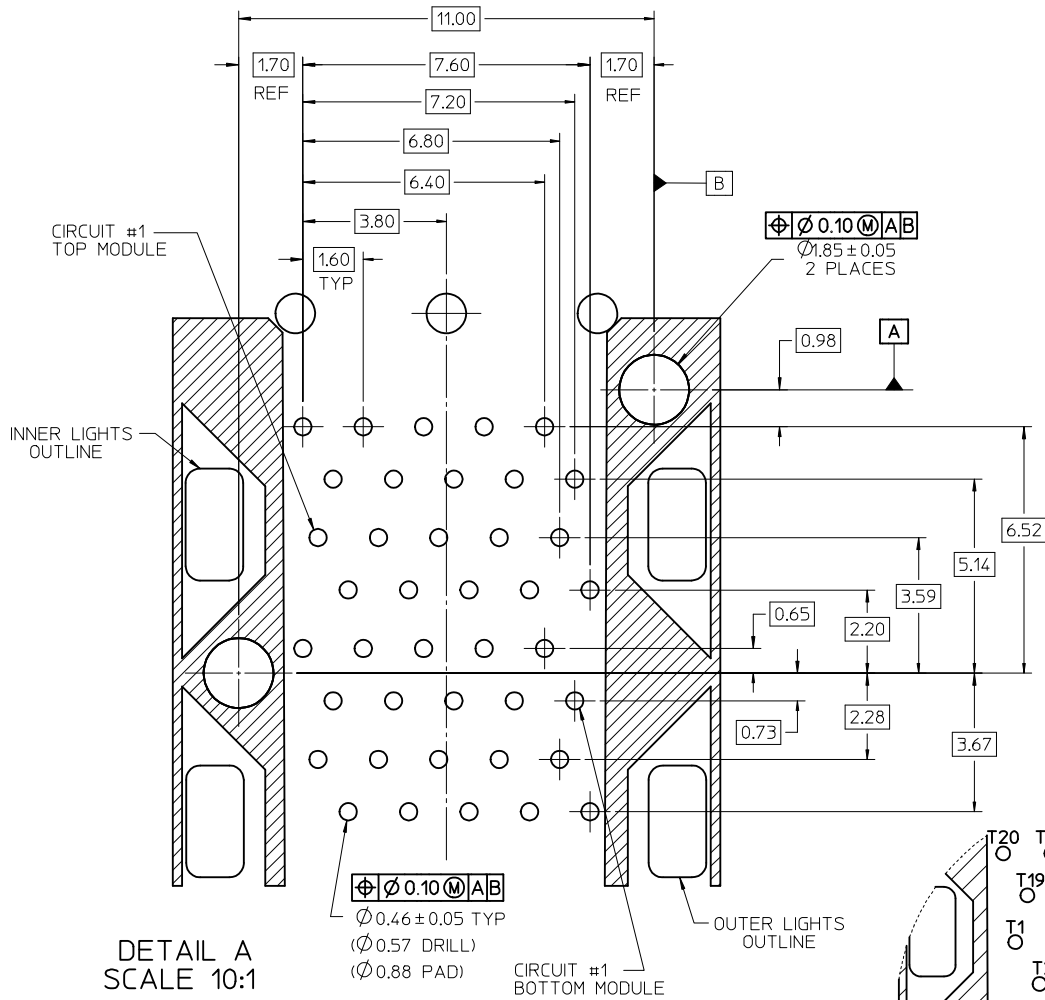


760440003 AND 760445003  
WITH OUTER LIGHT PIPES

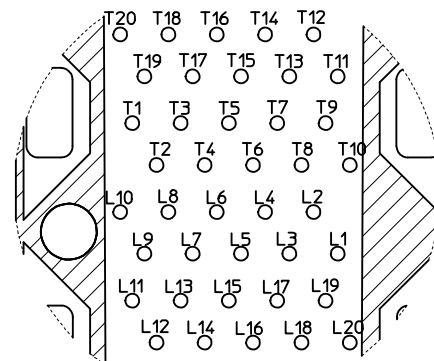


MODULE PORT DETAIL  
10.00MM AREA SETBACK IN CAGE IS TO BE FREE OF ANY HOLES, DIMPLES, SEAMS OR ANY OTHER FEATURES.  
(4 SIDES PER MODULE PORT)

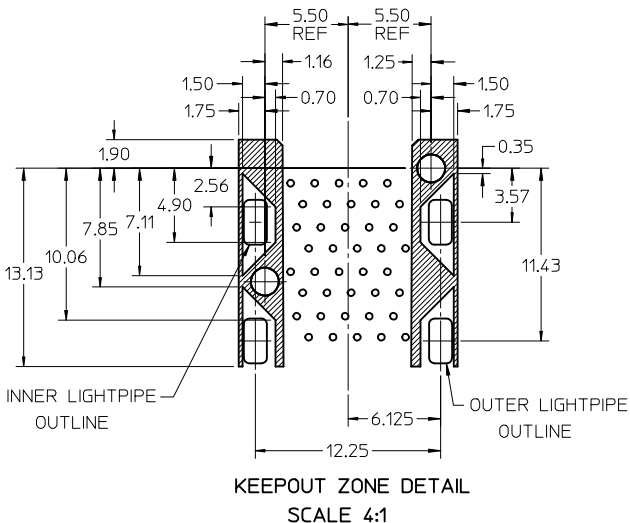
SEE SHEET 1 EC NO: UCP2009-0761 DRWN: JLONG 2008/09/29 CHKD: 2008/09/29 APPR: MBANAKIS2008/09/30	DESCRIPTION REV	QUALITY SYMBOLS	GENERAL TOLERANCES (UNLESS SPECIFIED)		SCALE 3:1	DESIGN UNITS METRIC	THIRD ANGLE PROJECTION	REVISE ON CAD ONLY	
		▼ -0 ∇ -0		mm	INCH	DIMENSION STYLE MM ONLY		TITLE	
			4 PLACES	± ---	± ---	DRAWN BY JJANTELEZ		DATE 11-3-06	
			3 PLACES	± ---	± ---	CHECKED BY JLONG		DATE 2-1-2007	
		2 PLACES	± 0.13	± ---	APPROVED BY KREGNIER		DATE 2-1-2007		
		1 PLACE	± 0.25	± ---	MATERIAL NO. SEE CHART		DOCUMENT NO. SD-76044-001	SHEET NO. 2 OF 4	
DRAFT WHERE APPLICABLE			ANGULAR ± 5 °		THIS DRAWING CONTAINS INFORMATION THAT IS PROPRIETARY TO MOLEX INCORPORATED AND SHOULD NOT BE USED WITHOUT WRITTEN PERMISSION				
MUST REMAIN WITHIN DIMENSIONS									



RECOMMENDED PCB LAYOUT - COMPONENT SIDE  
 MINIMUM PCB THICKNESS OF 1.57mm  
 THE ENTIRE AREA OF THE CONNECTOR FOOTPRINT  
 TO BE CONSIDERED THE KEEP OUT AREA INDICATED  
 BY THE DASHED LINE

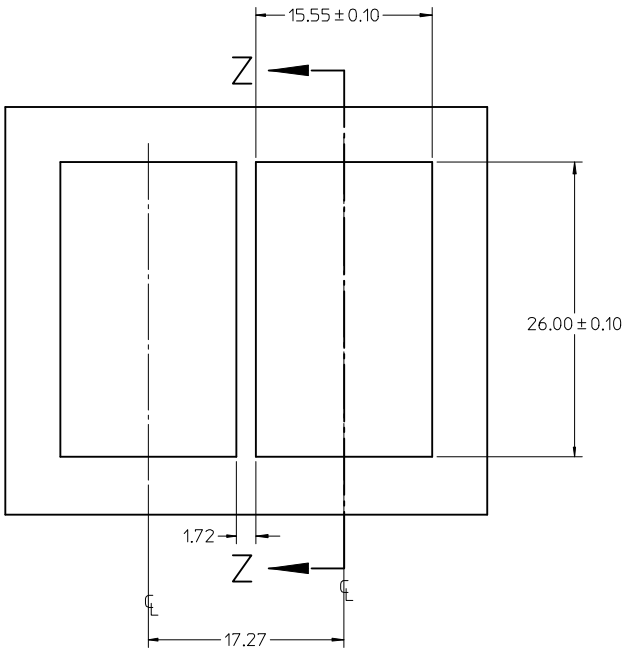


CONNECTOR PIN-OUT  
 COMPONENT SIDE OF BOARD  
 SCALE 10:1

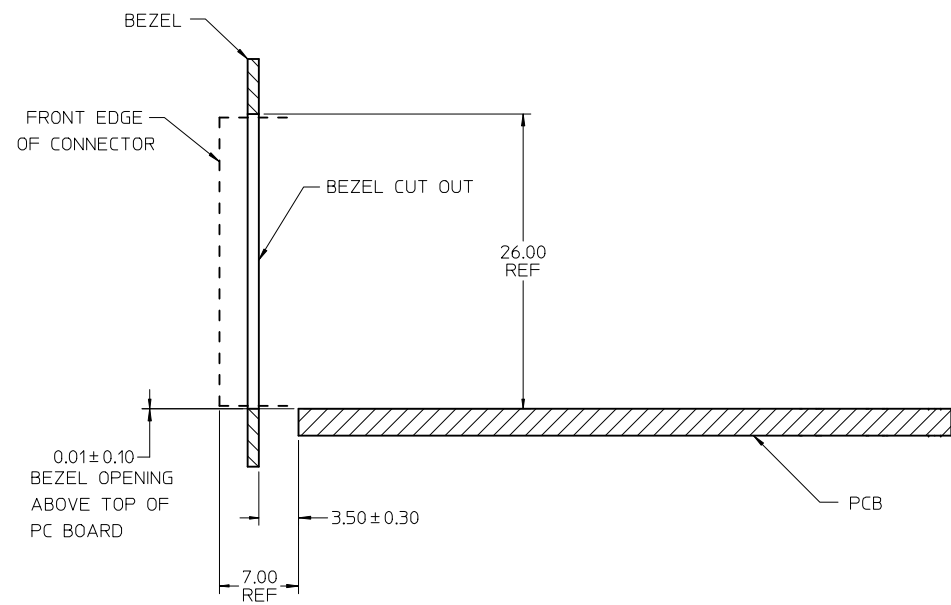


KEEP-OUT ZONE DETAIL  
 SCALE 4:1

SEE SHEET 1 EC NO: UCP2009-0761 DRWN: JLONG 2008/09/29 CHKD: 2008/09/29 APPR: MBANAKIS2008/09/30	QUALITY SYMBOLS ▽ - 0 ▽ - 0	GENERAL TOLERANCES (UNLESS SPECIFIED)		SCALE 3:1	DESIGN UNITS METRIC	THIRD ANGLE PROJECTION	REVISE ON CAD ONLY		
		4 PLACES ± --- ± --- 3 PLACES ± --- ± --- 2 PLACES ± 0.13 ± --- 1 PLACE ± 0.25 ± ---	mm INCH	DIMENSION STYLE MM ONLY		TITLE STACKED SFP+ 2X1 ASS'Y WITH METAL EMI GASKET AND LIGHTPIPES			
		ANGULAR ± 5 °		DRAFT WHERE APPLICABLE		DRAWN BY JJANTELEZ CHECKED BY JLONG	DATE 11-3-06 DATE 2-1-2007	MATERIAL NO. SEE CHART DOCUMENT NO. SD-76044-001	SHEET NO. 3 OF 4
		MUST REMAIN WITHIN DIMENSIONS		APPROVED BY KREGNIER DATE 2-1-2007		THIS DRAWING CONTAINS INFORMATION THAT IS PROPRIETARY TO MOLEX INCORPORATED AND SHOULD NOT BE USED WITHOUT WRITTEN PERMISSION			



BEZEL CUT-OUT CENTER SPACING DETAIL  
BEZEL THICKNESS 0.8-2.6



SECTION Z-Z

SEE SHEET 1 EC NO: UCP2009-0761 DRWN: JLONG 2008/09/29 CHKD: 2008/09/29 APPR: MBANAKIS2008/09/30	QUALITY SYMBOLS ▽ - 0 ▽ - 0	GENERAL TOLERANCES (UNLESS SPECIFIED)		SCALE 3:1	DESIGN UNITS METRIC	THIRD ANGLE PROJECTION	REVISE ON CAD ONLY			
			mm	INCH	DIMENSION STYLE MM ONLY		TITLE			
		4 PLACES	± ---	± ---	DRAWN BY JJANTELEZ	DATE 11-3-06	STACKED SFP+ 2X1 ASS'Y WITH METAL EMI GASKET AND LIGHTPIPES			
		3 PLACES	± ---	± ---	CHECKED BY JLONG	DATE 2-1-2007	MOLEX INCORPORATED			
			2 PLACES	± 0.13	± ---	APPROVED BY KREGNIER	DATE 2-1-2007	MATERIAL NO. SEE CHART	DOCUMENT NO. SD-76044-001	SHEET NO. 4 OF 4
			1 PLACE	± 0.25	± ---	THIS DRAWING CONTAINS INFORMATION THAT IS PROPRIETARY TO MOLEX INCORPORATED AND SHOULD NOT BE USED WITHOUT WRITTEN PERMISSION				
			ANGULAR ± 5 °							
			DRAFT WHERE APPLICABLE MUST REMAIN WITHIN DIMENSIONS							